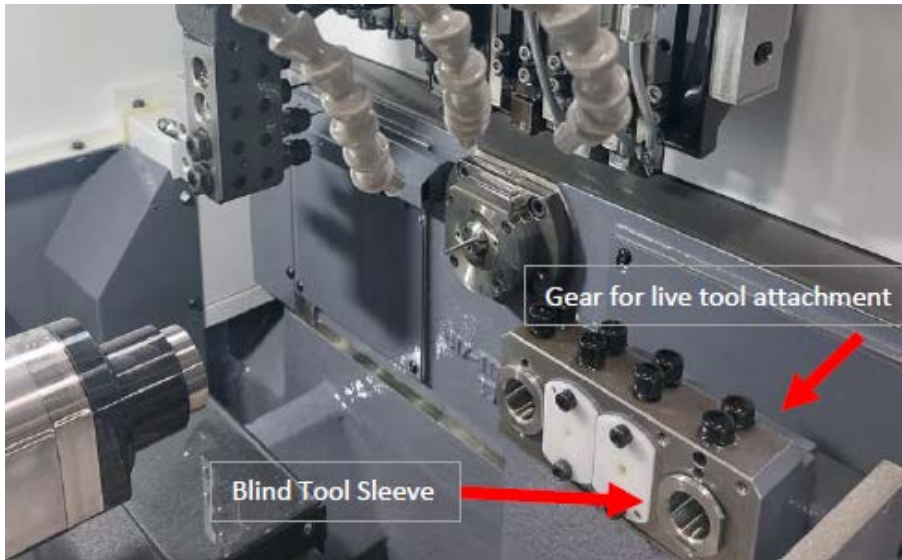




ETP HYDRO-FIX SBW[®]

Hydraulic high **Swiss Back-Working** precision clamping unit

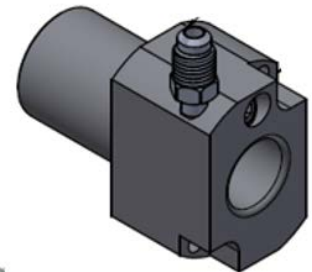
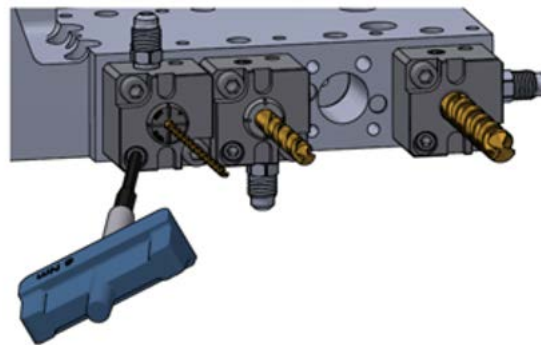
**ELIMINATE
ER HOLDER
RUNOUT**



Excellent for static SWISS backworking operations

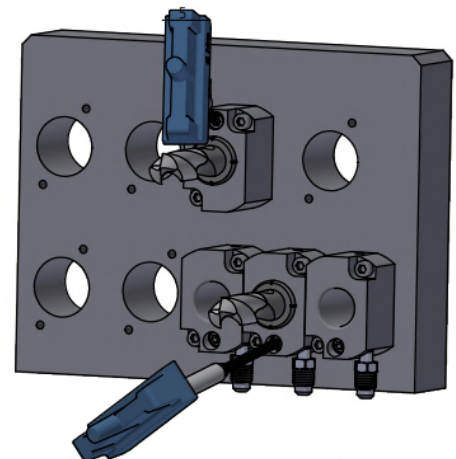
ETP HYDRO-FIX SBW clamping units are excellent for static backworking operations such as drilling, reaming and boring. With the one screw fix system it is quick and easy to handle. Precision hydraulic tool centering is achieved and the tool life and setup time is improved. The clamping unit allows for larger/deeper drilling, quick tool changes, absorbs/reduces vibration, improves surface quality and best of all: Increases your productivity!

**SAFER
TOOL
CHANGES**



Get set up in 3 easy steps:

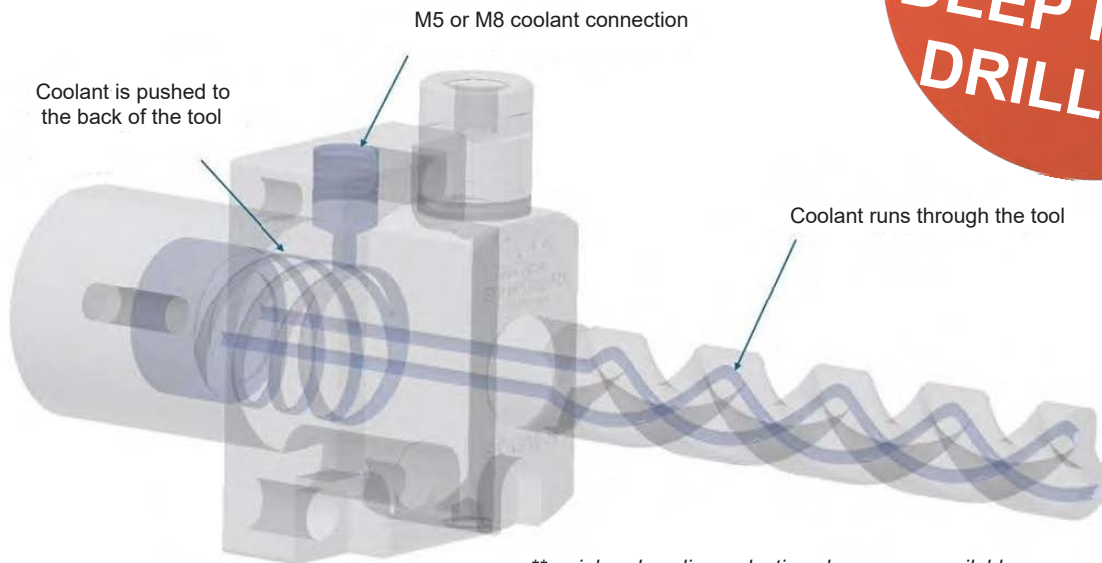
1. Simply pull out the "Blind Tool Sleeve" (if applicable) in the machine and then use HYDRO-FIX SBW in its place.
2. Clamp the set screws on the OD flat, or affix the same bolts from your existing block.
3. Use a coolant adapter to port coolant through the tool where you couldn't before.



ETP HYDRO-FIX SBW[®]

Hydraulic high precision clamping unit

COOLANT THROUGH DEEP HOLE DRILLING



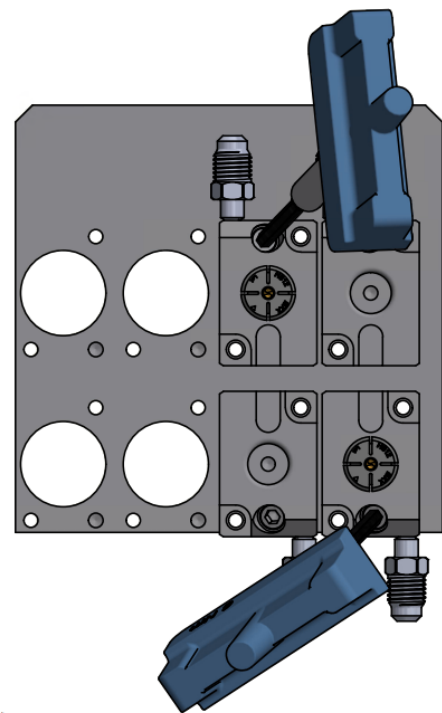
***peripheral cooling reduction sleeves are available*

ETP SWISS BACKWORKING APPLICATION

- 1 . FIND YOUR MACHINE
- 2 . CHOOSE SUITABLE ETP HYDRO-FIX UNIT
- 3 . CHOOSE YOUR ACCESSORIES

THREE EASY STEPS!

1. MACHINE		2. CHOOSE ETP HYDRO-FIX UNIT						
Machine Mfg.	Machine type	706917	706961	707036	707037	707038	707105	706919
STAR	Several					•		
TSUGAMI	Several							•
TORNOS	GT						•	
CITIZEN	L12	•						
	L20		•					
	L32X			•	•			

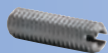


Additional information:

Tool/toolbar shank h6 or h7 can be used.

Adjustment screw included in shipment. Can also be ordered separately as spare part.

M5x0.8-16 Part no. S041
or
M8x1.25-25 Part no. S057



Accessories:

Use a preset torque wrench to ensure correct mounting of tools.
6 Nm - Part no. 19055



50mm long bit for wrench
Part no. ETP-630



ETP HYDRO-FIX can be used with reduction sleeves.

R1912.****
R1920.****
R1925.****



Extractors available for all sleeves
E7321.12000 - 12mm
E7321.20000 - 20mm
E7321.25000 - 25mm

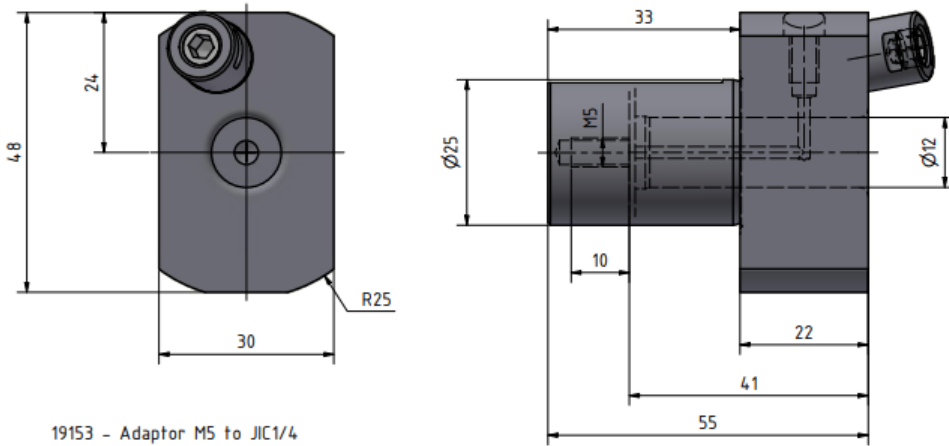
Coolant adaptors:

Male M8x1.25 to Male 1/4" JIC
Part no. 19152

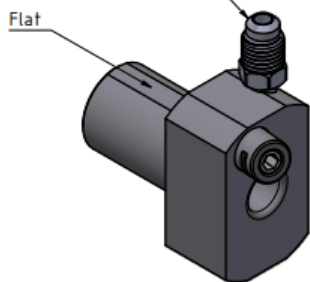
Male M5 to Male 1/4" JIC
Part no. 19153



706917 - ETP HYDRO-FIX SBW-12/25-33 (L12)



19153 - Adaptor M5 to JIC1/4
(NOT Included, Sold seperately)

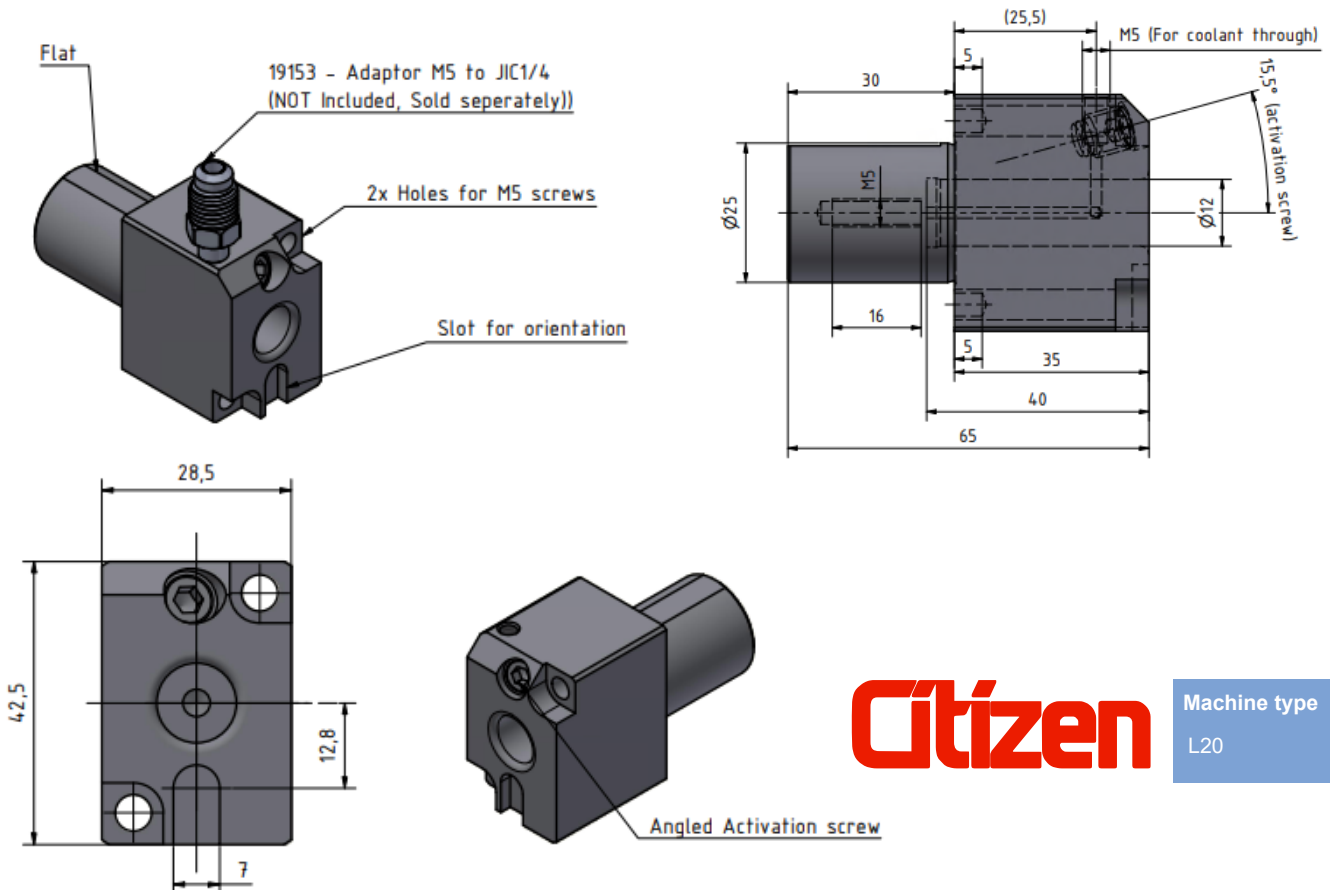


Citizen

Machine type
L12

This L12 holder will also fit into an existing Tsugami holder 3282-Y211
Uses R1912.xxxxx reduction sleeves, E7321.12000, 19153, S041

706961- ETP HYDRO-FIX SBW-12/25-30 (L20)

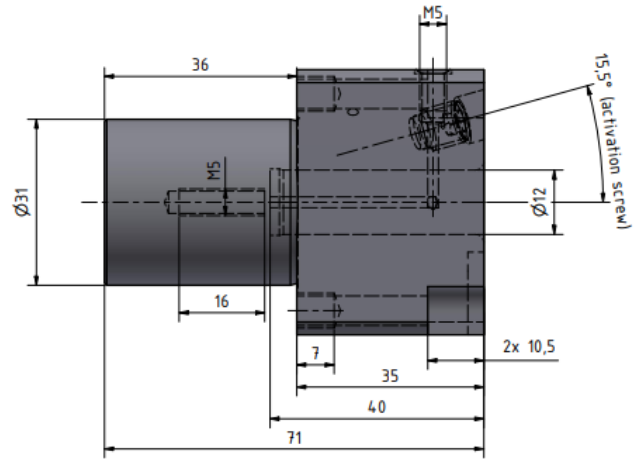
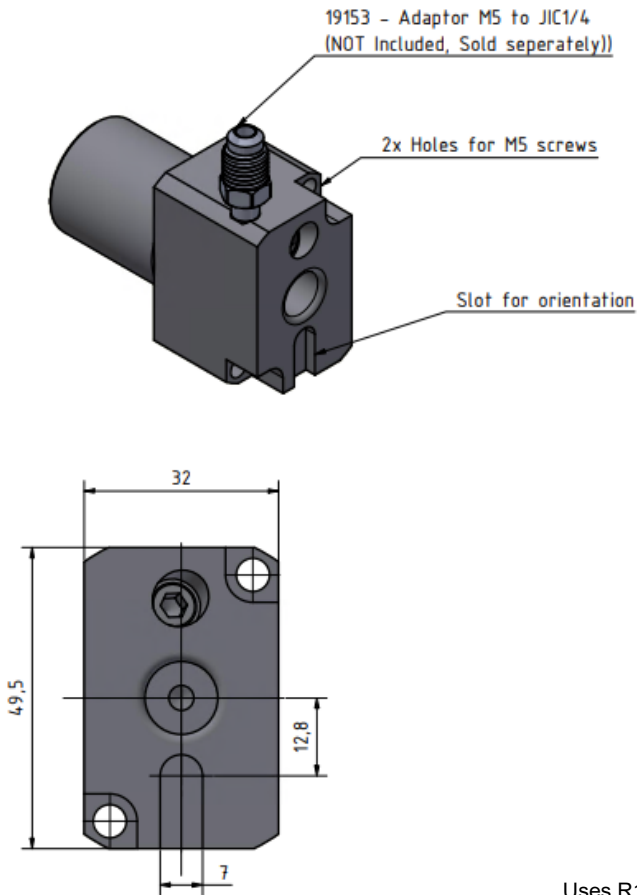


Citizen

Machine type
L20

Uses R1912.xxxxx reduction sleeves, E7321.12000, 19153, S041

707036 - ETP HYDRO-FIX SBW-12/31-36 (L32X)

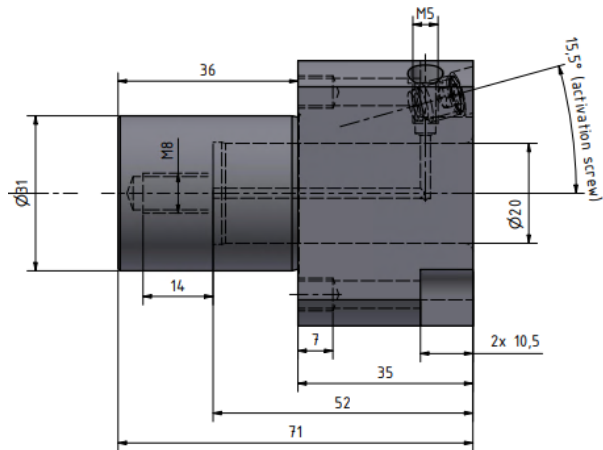
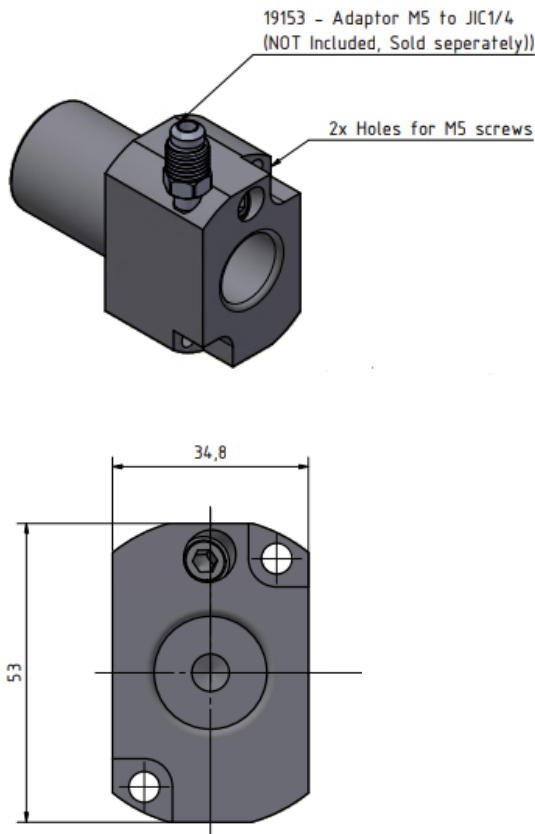


Citizen

Machine type
L32X

Uses R1912.xxxxx reduction sleeves, E7321.12000, 19153, S041

707037 - ETP HYDRO-FIX SBW-20/31-36 (L32X)

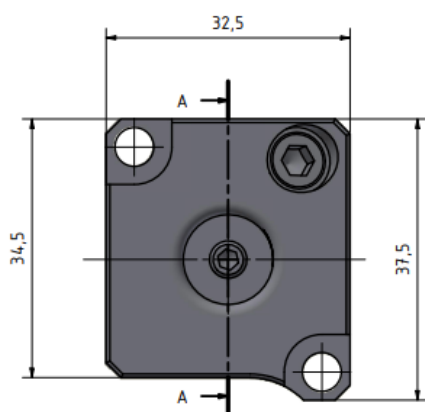
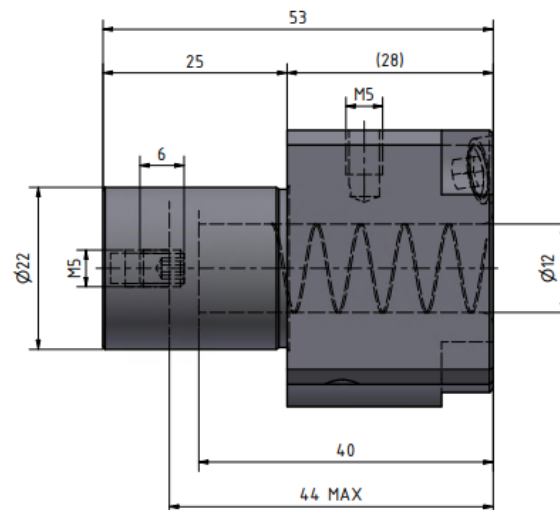
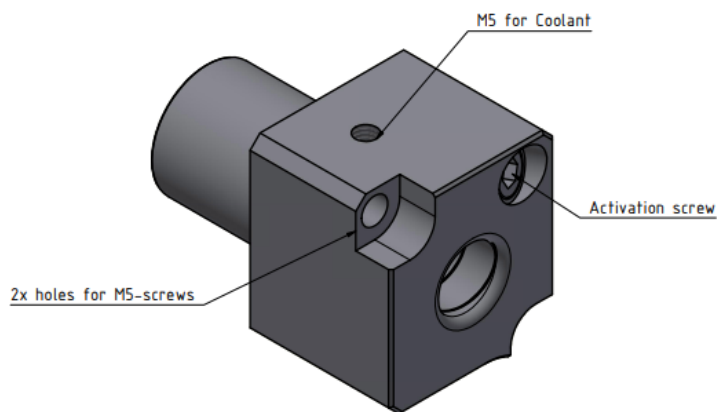


Citizen

Machine type
L32X

Uses R1920.xxxxx reduction sleeves, E7321.20000, 19153, S057

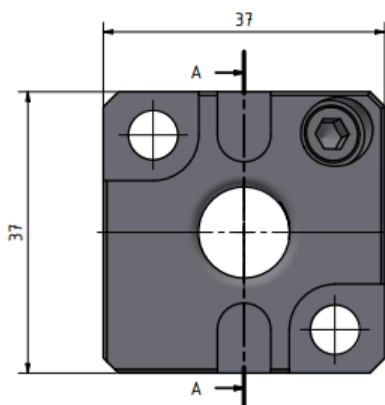
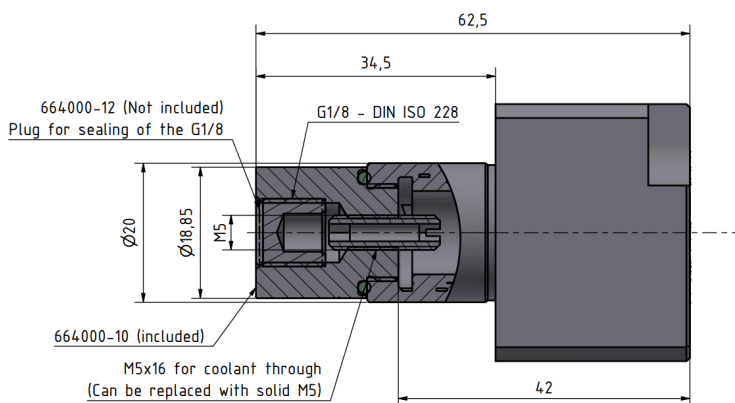
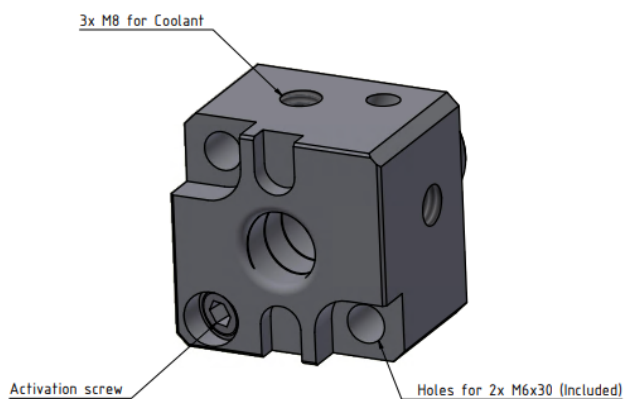
707038 - ETP HYDRO-FIX SBW-12/22-25 (STAR)



Machine type
 SB20RG
 SD:26E,26S
 SR20: 20J,20J2,20R3, 20R4
 SR32J,J2,J3
 SR38B
 SW:12R2, 20

Uses R1912.xxxxx reduction sleeves, E7321.12000, 19153, S041

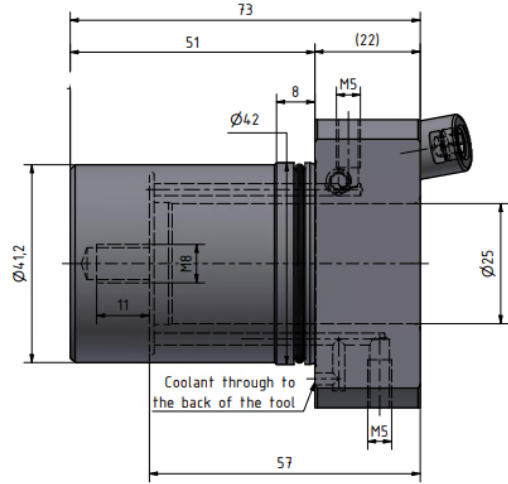
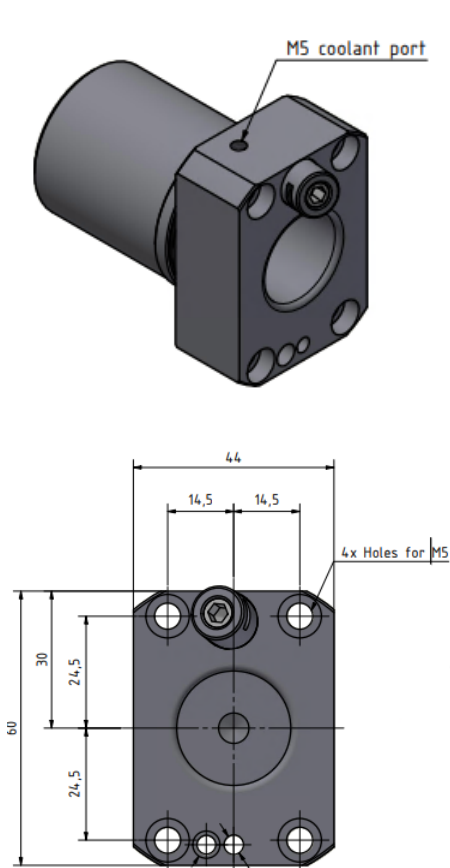
707105 - ETP HYDRO-FIX SBW-12/20-18.5 (TORNOS GT)



Machine type
 All GTs

Uses R1912.xxxxx reduction sleeves, E7321.12000, 19152, S041

706919 - ETP HYDRO-FIX SBW-25/42-51 (TSUGAMI)



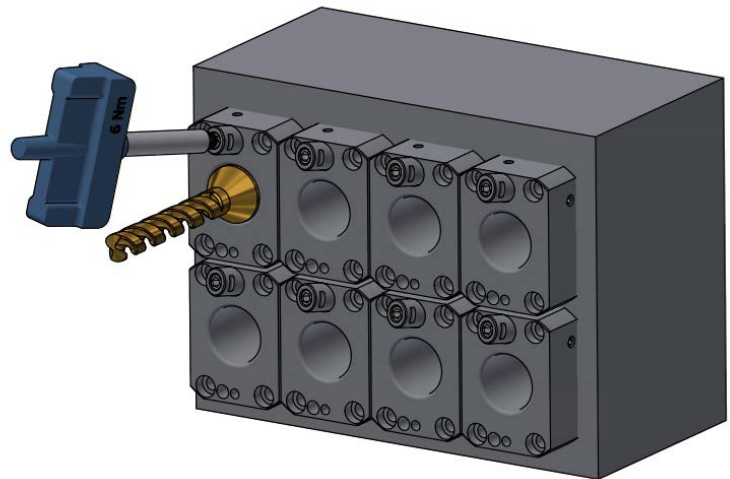
****On this design, you can choose to port coolant through the M5 hole in the bottom or top of the holder.**

TSUGAMI

Machine types

- S205-II
- S206-II
- SS207-II-5AX
- SS327-III-5AX
- B0326-III
- B038T
- B0385C
- B0386C
- B0386-III
- BW329Z

This is a direct Hydraulic replacement for Tsugami's holder 3282-Y211. Uses R1925.xxxxx reduction sleeves, E7321.25000, 19153, S057



1169 Tower Rd, Schaumburg, IL 60173. US
 Phone: +1 630-237-4386
 E-mail: sales@etpinc.com, Internet: www.etpinc.com